

# Tech Note

## C3 Solar Panel Split Mount

The hardware provided in the C3 solar panel split mount kit allows any C3 enclosure with attached solar panel to be converted to a sealed enclosure and separately mountable solar panel.

### Where to Use

Use this kit anywhere the solar panel needs to be mounted at a height that allows it to receive adequate sunlight but prohibits easy access to the C3 module. For example, the solar panel can be mounted atop a high pole, above the tree canopy, with the C3 module and enclosure remaining at ground level.

### Included Hardware

- Enclosure blanking cap, seal, and fastener.
- Aluminium solar panel mounting bracket with 2" hose clamps and fasteners.
- 30 ft (10 m), 2-core, power cable with gel filled joiners and cable gland.
- Hex key to suit both blanking cap and solar mount.

### Required

- Large pliers to crimp electrical connections.
- Large, flat-bladed screw driver for hose clamps.
- Small, flat-bladed screw driver for C3 terminal block connections.
- 1/2" (12 mm), 5/8" (16 mm) bits and drill, routing the cable within the mounting pole as shown.
- Cable cutting and stripping tools.

### Installation

- Disassemble the C3 solar enclosure as shown in Figure A.
- Assemble the blanking cap as shown in Figure B.
- Drill a 5/8" hole in the enclosure as shown in Figure B and install cable gland.
- Cut the remaining solar panel power cable to 4" (100 mm) and strip 2" (50 mm) of outer sheath.
- Assemble the solar panel and mounting bracket as shown in Figure C.
- Connect the power cable extension to the solar panel power cable using the supplied crimps as shown in Figure D.
- Drill a 1/2" hole in the mounting post at the point you wish to mount the solar panel.
- Thread the power cable through this hole.
- Affix solar panel assembly to the pole with supplied hose clamps ensuring that it will face the sun at local noon. The power connection is housed within the mount.
- Install the C3 enclosure mount onto the post.
- Drill a 5/8" or larger hole through the mount and the post using the bottom pilot mark.
- Use a stiff piece of hooked wire to draw the power cable through this hole.
- Push the power cable through the cable gland and install the enclosure on the mount.
- Shorten the power cable if desired; some excess cable can be stored inside the C3 enclosure.
- Connect the power cable to the C3 terminal block as shown in Figure E.

### Part numbers

Product code	Description
10165	C3 solar panel split mount kit

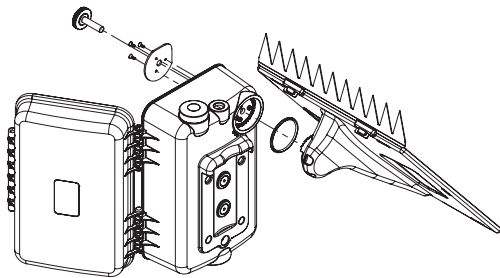


Figure A  
C3 enclosure dis-assembly

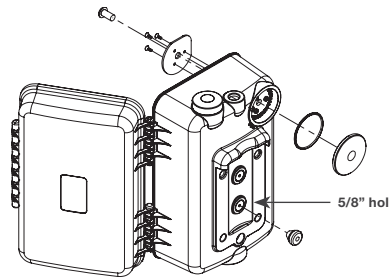


Figure B  
Blanking cap assembly

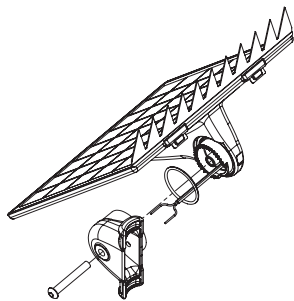


Figure C  
Solar panel assembly

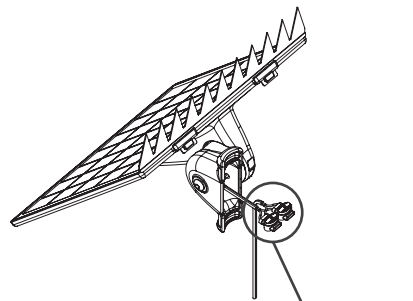
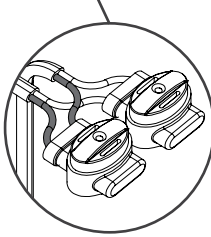


Figure D  
Power cable extension



Power cable joiners

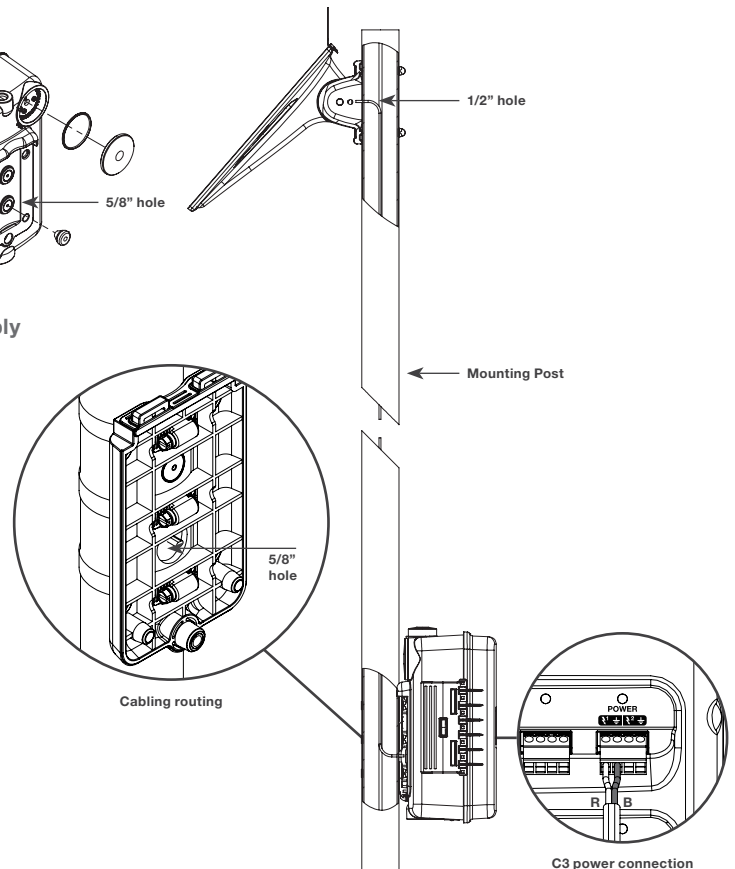


Figure E  
General installation

OBS-USR-TN006-R1

