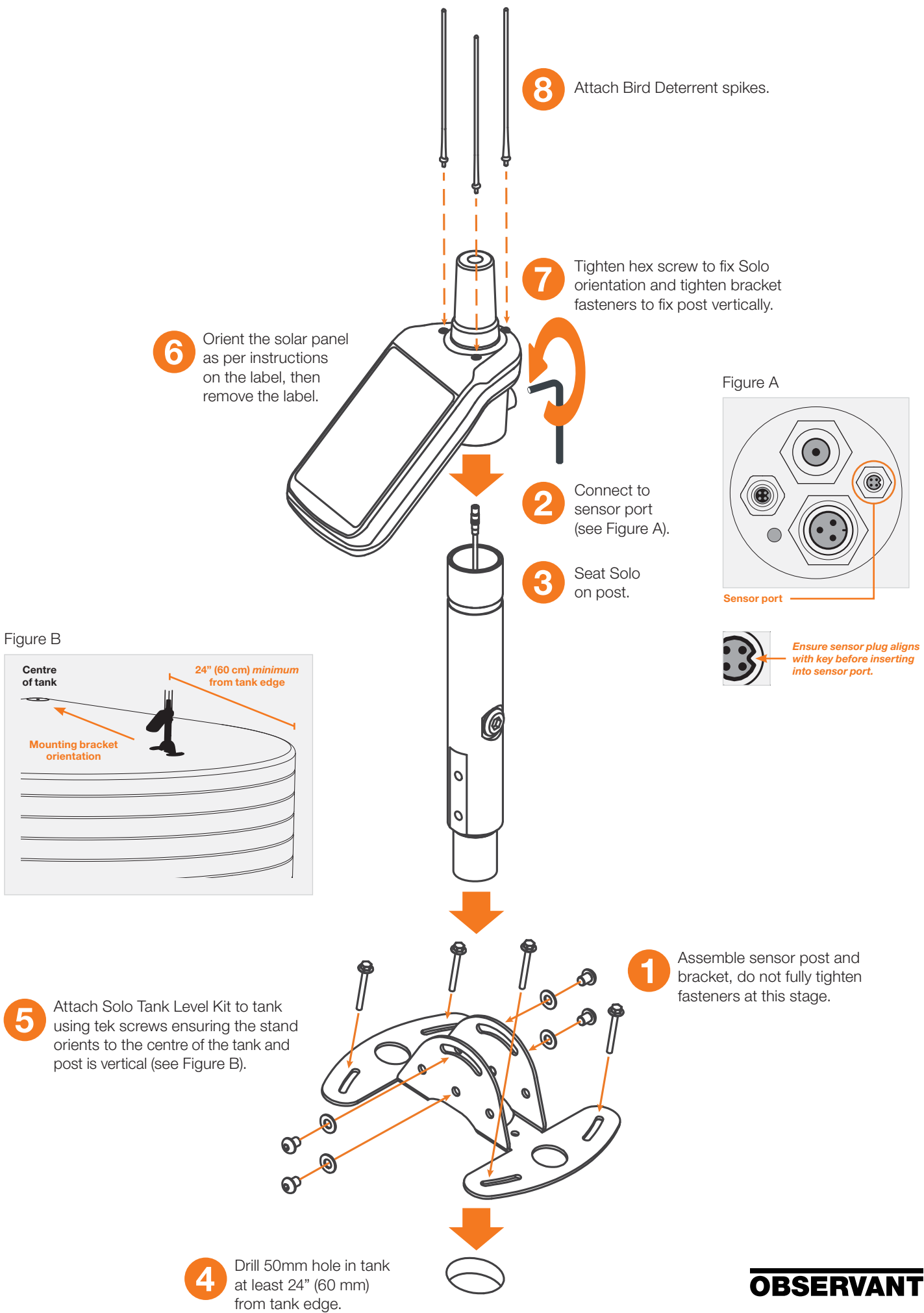


Observant Solo Tank Monitoring Kit Installation Guide



Log on to **Observant Global™** to begin monitoring your water levels.

GO



Follow the step-by-step instructions found in this installation guide to set up your hardware.

INSTALL



Before going onsite, activate your account and equipment at observant.net/signup.

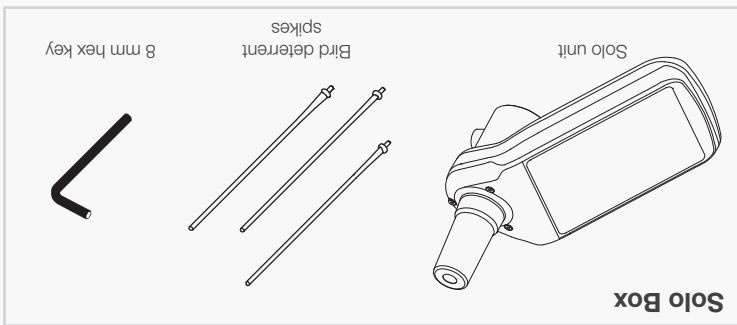
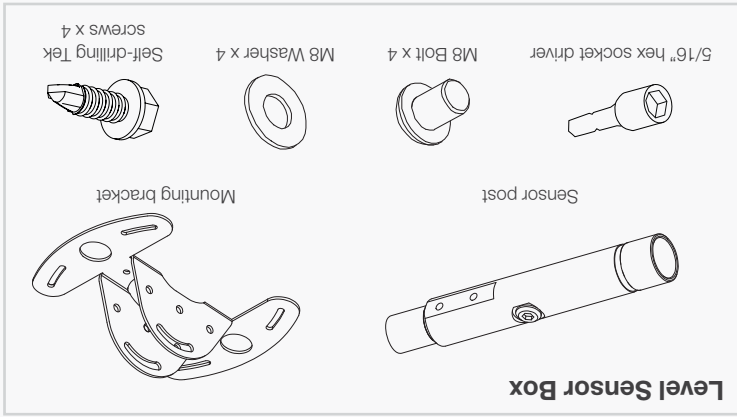
ACTIVATE



OBSERVANT™

- Power drill.
- Ladder to access the tank roof safely.
- 2" (50 mm) hole saw.
- Tape measure required for height measurements (see back page).

ADDITIONAL TOOLS REQUIRED



KIT CONTENTS

Record the following

Solo Serial Number

1. Tank height Measure from bottom of sensor to floor of tank

2. Head clearance Measure from bottom of sensor to the overflow point

