

Tech Note

Observant V1 Camera

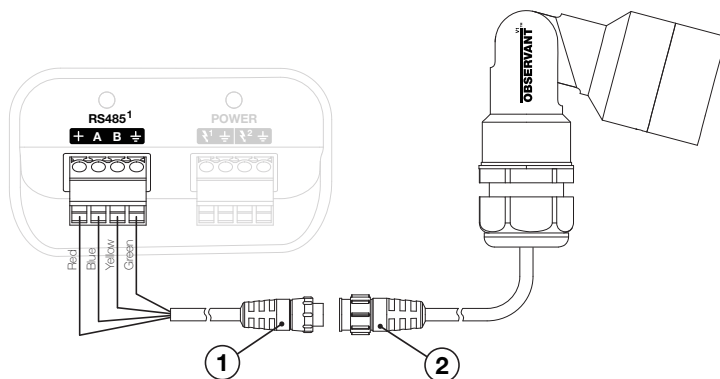
The V1 is a low-power, ruggedised, color, still-image camera.

Included hardware

- V1 camera.
- Hex key for locking camera angle.
- 20 ft (6 m) C3 port connection cable.
- Pole mounting bracket.
- Bracket hose clamps (x 2).
- Gland suitable for up to 1" (25 mm) OD conduit.
- Nut for direct mounting option.

Electrical connection

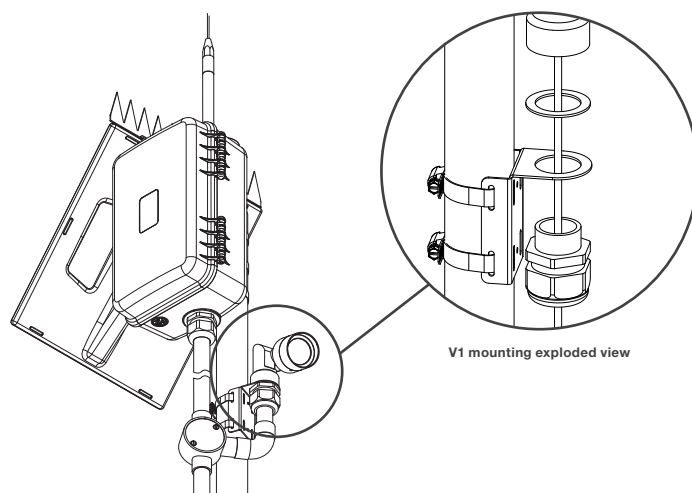
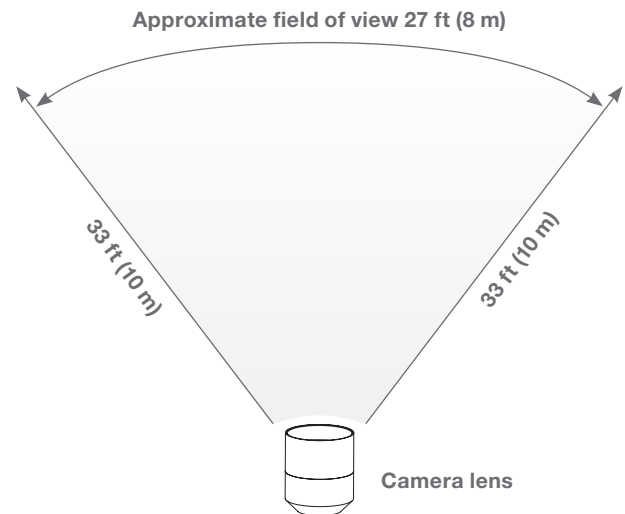
- The V1 is a standard Modbus, serial-communications device and is supplied with the Observant, 4-way, device connector.
- The standard, C3, device cable (item 00774) is 19' 8" (6 m) long. The cable is easily shortened by rewiring the 4-way, screw-terminal block, which plugs into the C3.
- If a longer cable run is needed, a 30 ft (10 m) extension cable (item 00026) is available.
- Either RS485 port on the C3 may be used.



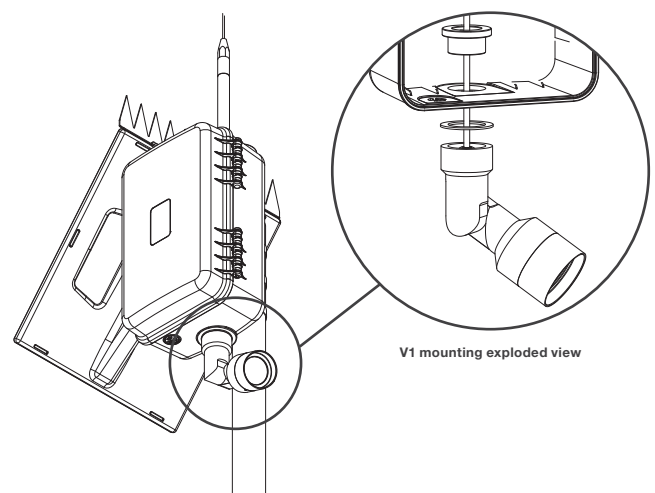
- 1 - Male, 4-way, sensor cable
2 - Female, 4-way, camera cable

Installation notes

- The V1 can mount to the same pole as the C3, using the provided pole-mount bracket.
- High-quality, flexible conduit or standard, rigid, electrical conduit should be used to protect the cabling.
- Alternatively, if elevation allows, the V1 can be mounted directly into the 32 mm, bottom-entry hole of the C3.
- Always ensure the V1 body vent hole is oriented downward.
- Ensure that the vertical-adjustment bolt is fully tightened after aiming the camera.
- The 4-way, device connector can be threaded through standard 1" (25 mm) electrical conduit.



Remote V1 mounting (rigid conduit)



V1 mounted directly to the Solar Enclosure.

OBS-USR-TN003-R1

